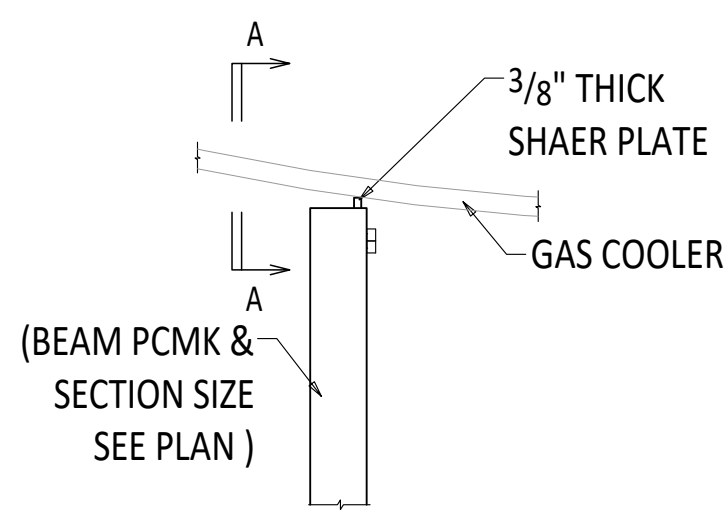
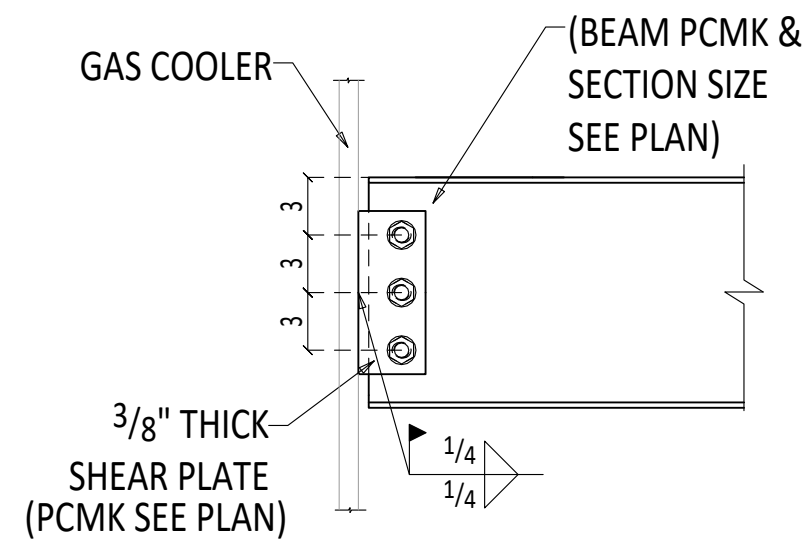


FRAMING PLAN @ PLATFORM EL: 659'-10⁷/₈
 TOP OF STEEL ELEVATION: 659-9⁵/₈ (U.N.O)
 (REFER DESIGN DWG. NO. H93588)

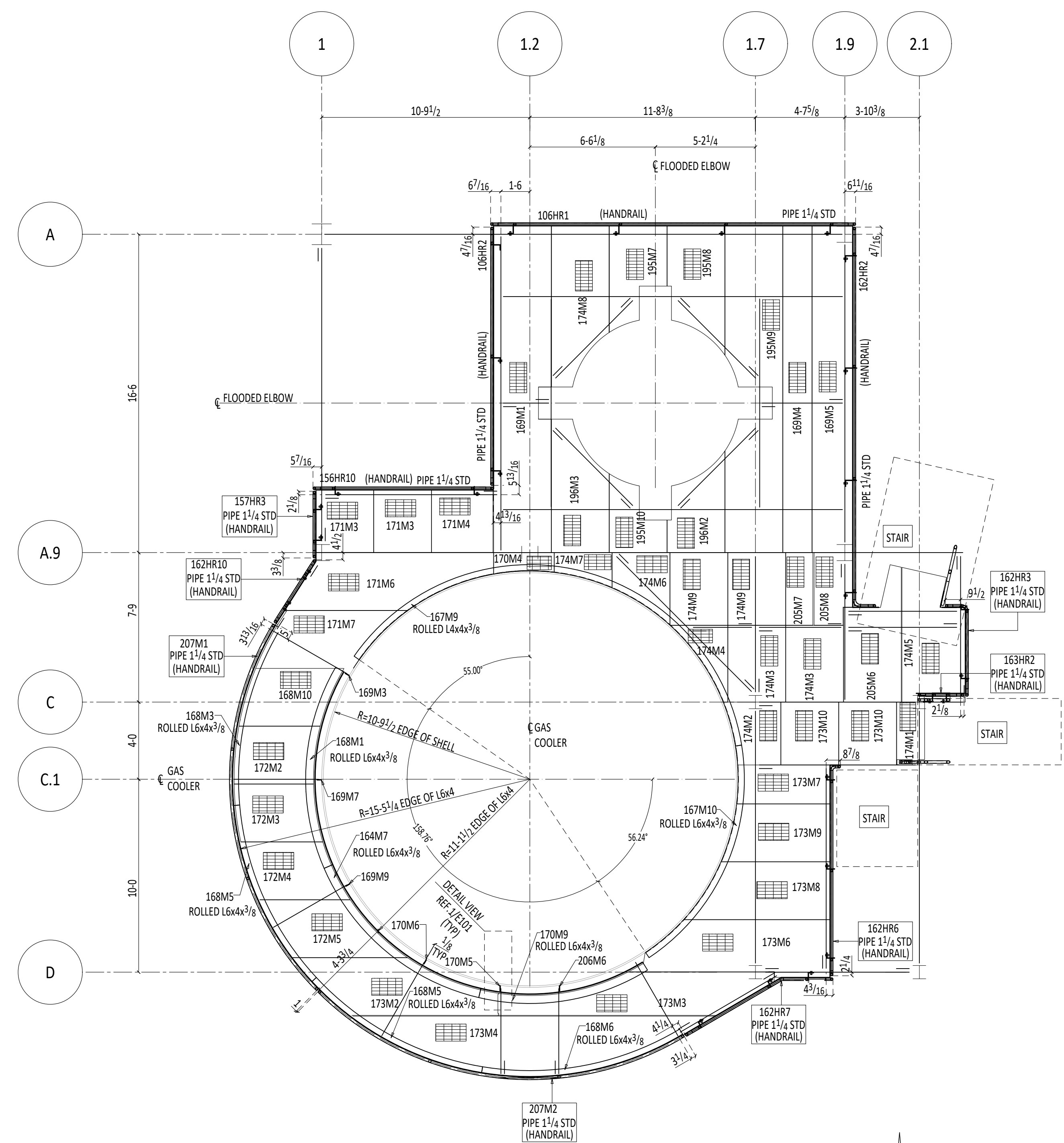
PLAN NOTE:
 1) / INDICATES VERTICAL BRACING.



1 **DETAIL VIEW**
 E101 (REF. ERECTION SHEET # E101)



SECTION A-A

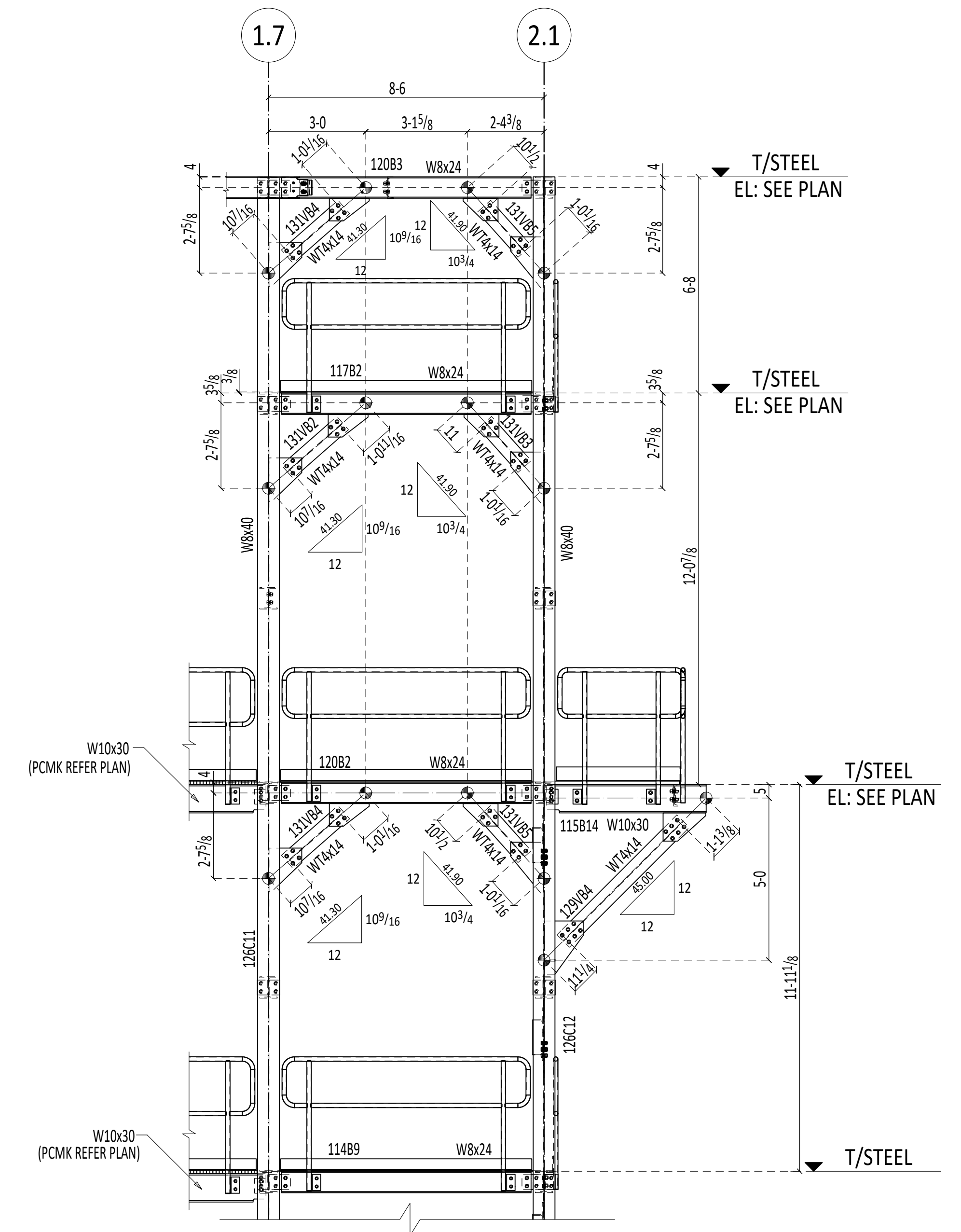
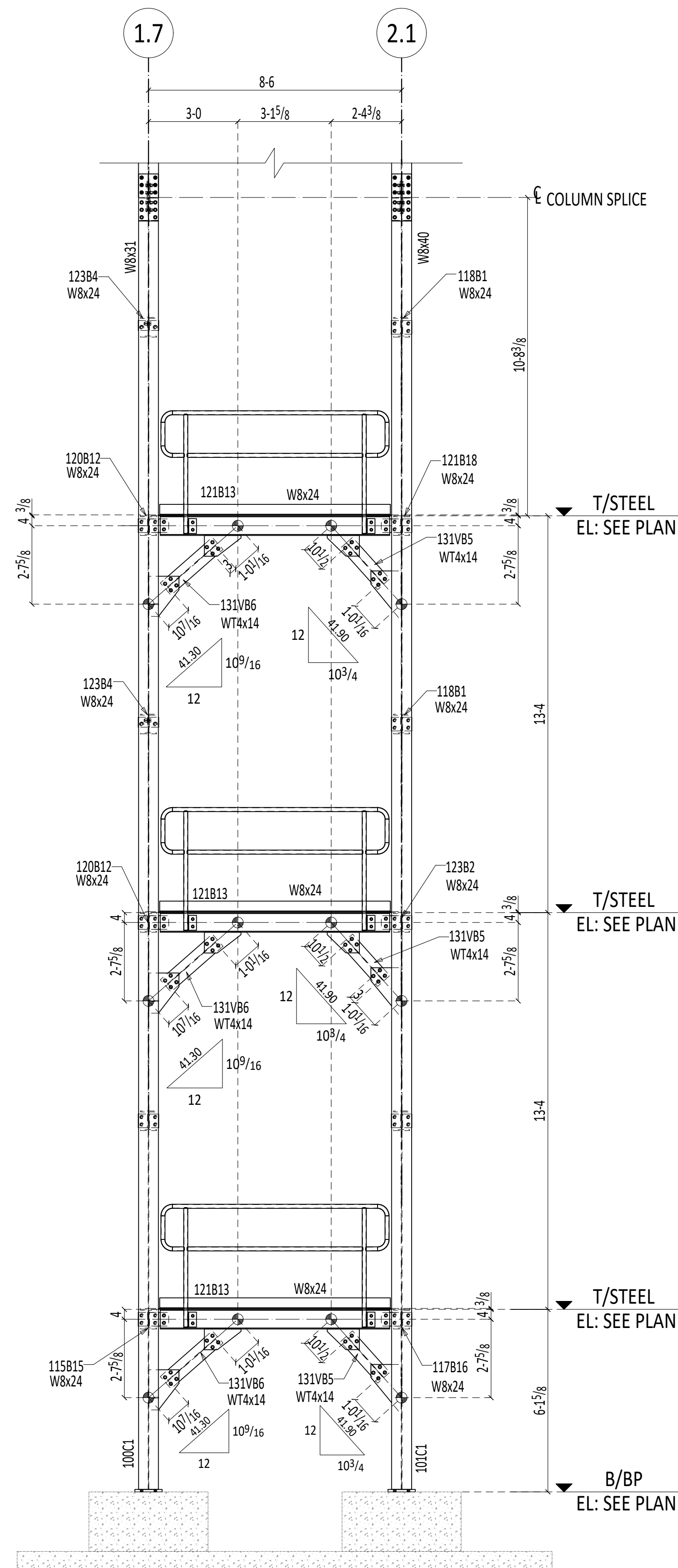
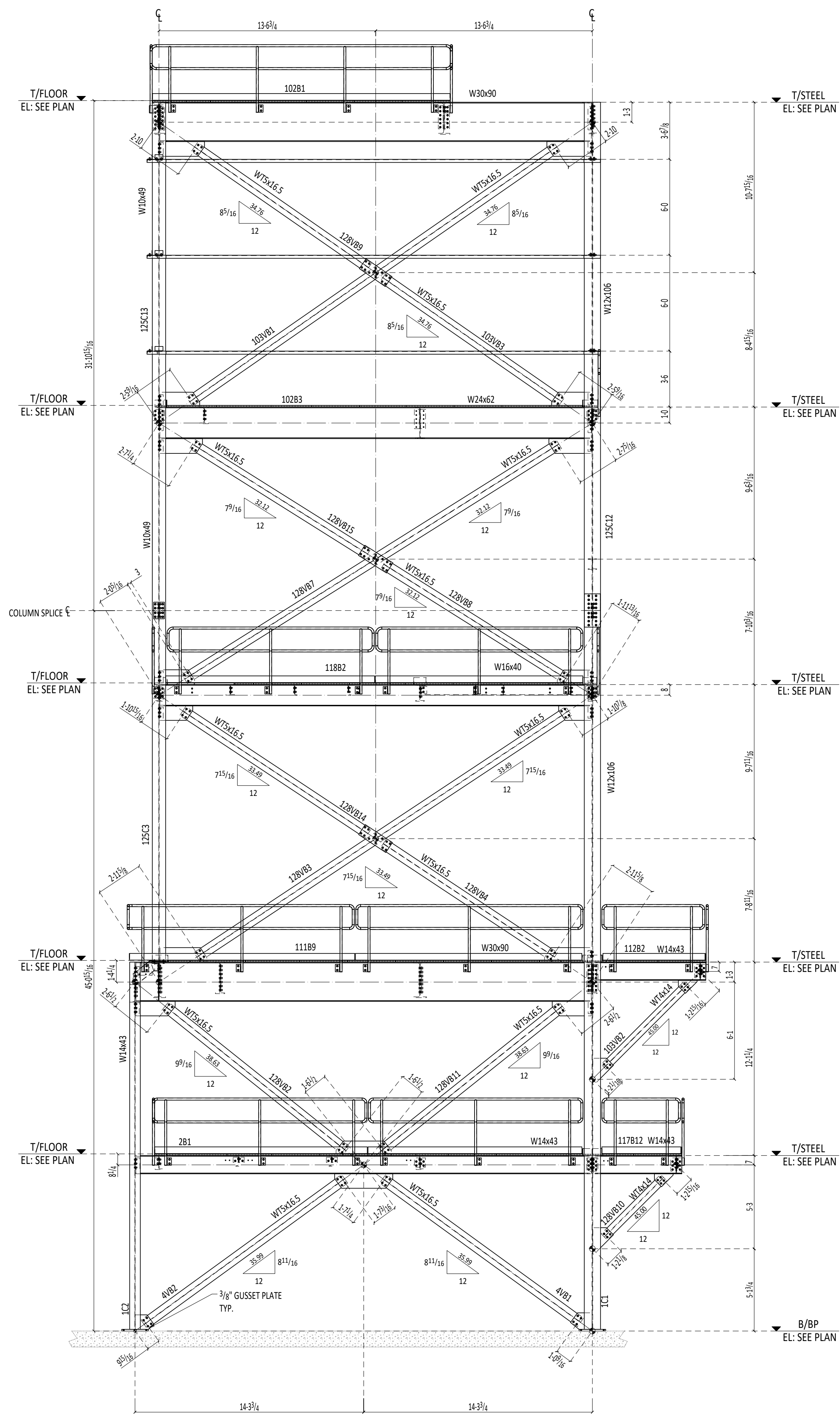


MISC. PLAN @ PLATFORM EL: 659'-10⁷/₈
 TOP OF STEEL ELEVATION: 659-9⁵/₈ (U.N.O)
 (REFER DESIGN DWG. NO. H93588)

PLAN NOTE:
 1) [Symbol] INDICATES GRATING.

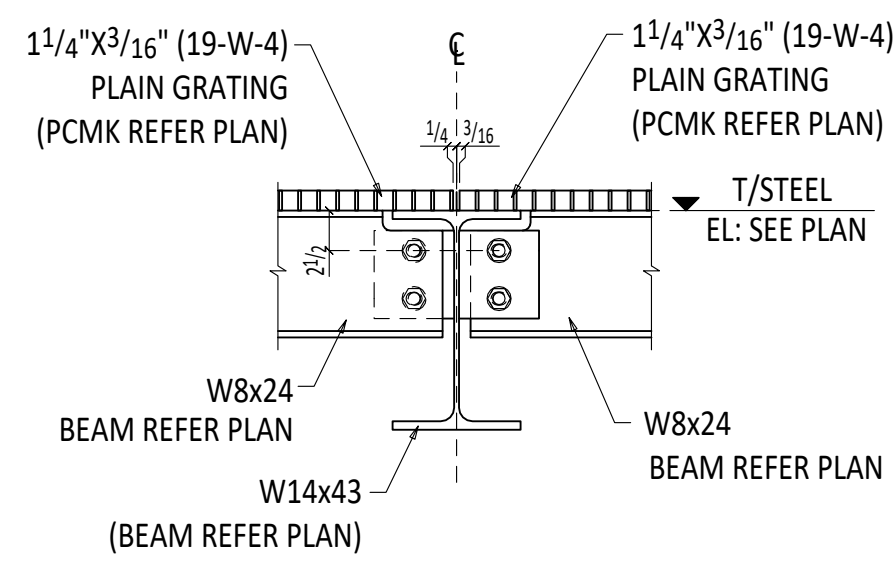
COPIES	3/4"	PROJECT NAME	
STEEL ASTM	A992	LOCATION	
ELECTRODES	E70XX	CONTRACTOR	
WELDS	3/16"	STRUCTURAL ENGINEER	
OPEN HOLES	13/16"	DESCRIPTION	
BOLTS	A325N	DATE	JOB No.
PAINT	-	DRAWN BY	DRG No. E101

DATE	NO.	DESCRIPTION	BY

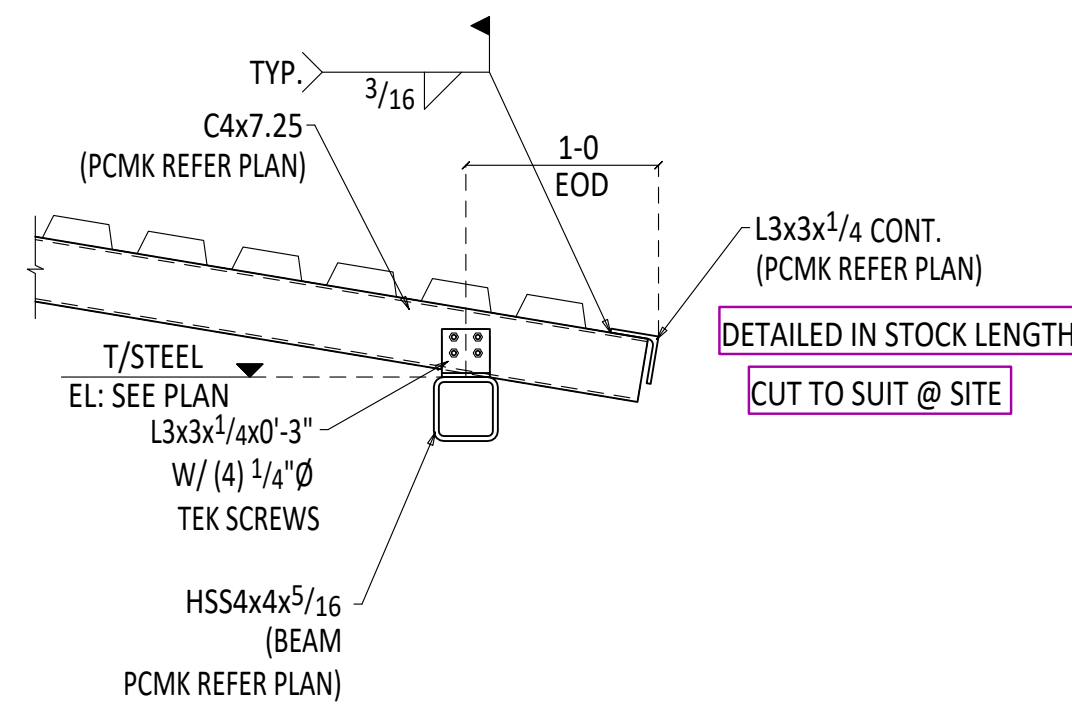


COPIES 3/4"	UNO	PROJECT NAME	
STEEL ASTM A992	UNO	LOCATION	
ELECTRODES E70XX	UNO	CONTRACTOR	
WELDS 3/16"	UNO	STRUCTURAL ENGINEER	
OPEN HOLES 13/16"	UNO	DESCRIPTION	
BOLTS A325N	UNO	DATE	JOB No.
PAINT	UNO	DRAWN BY	DRG No. E102

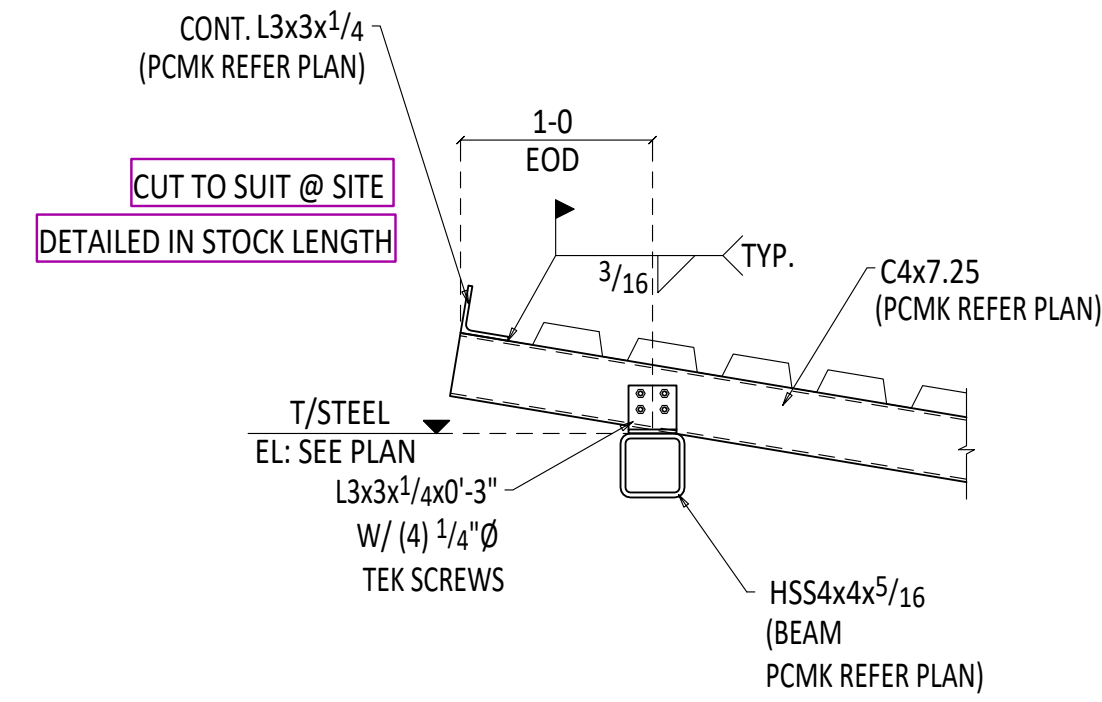
DATE	NO.	DESCRIPTION	BY



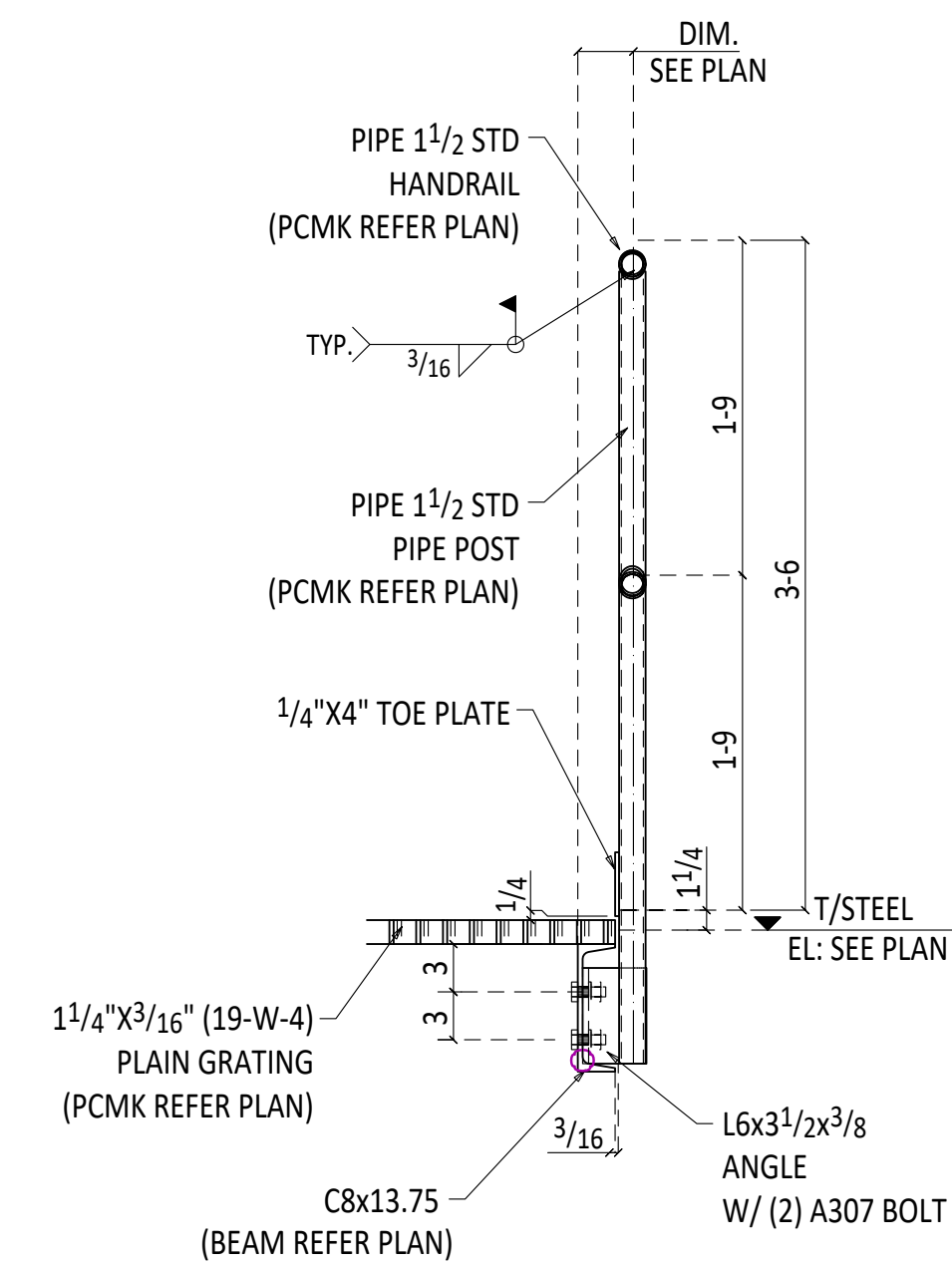
1 SECTION VIEW
ES100 (REF. ERECTION SHEET # 2/E101)
(REF. DESIGN DWG. NO.H93545)



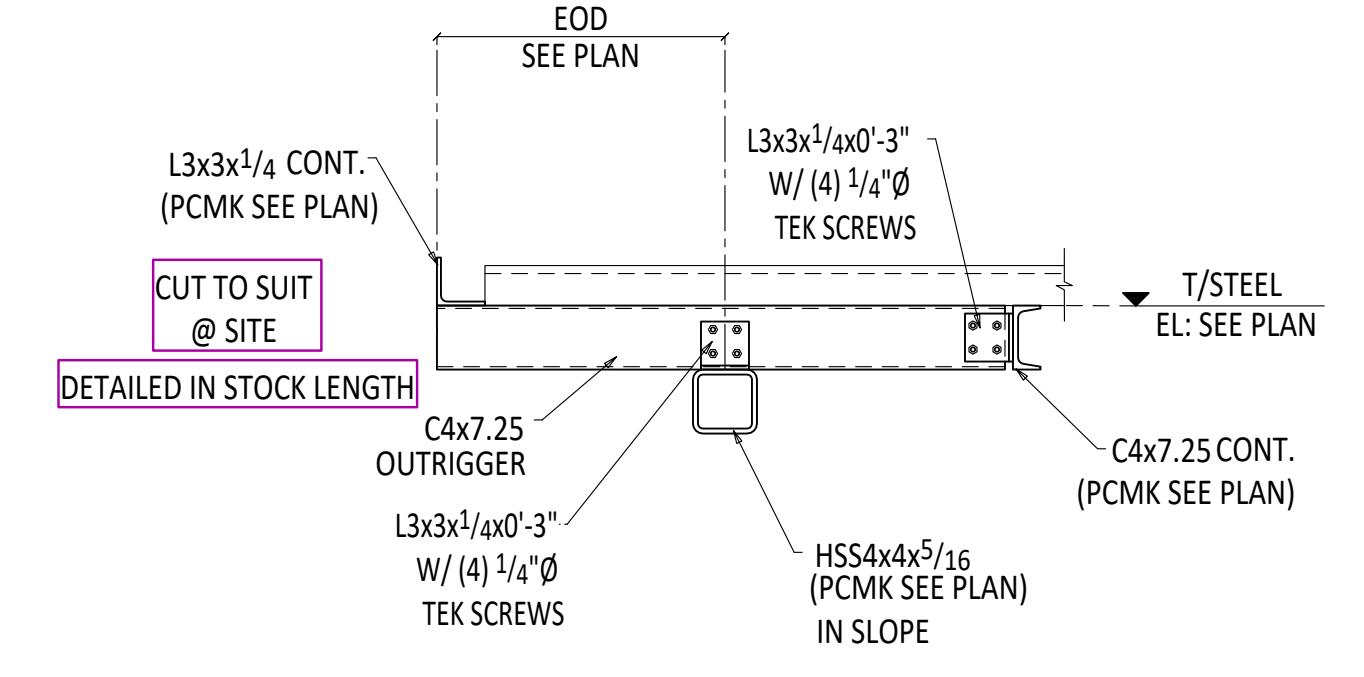
2 SECTION VIEW
ES100 (REF. ERECTION SHEET # 2/E101)
(REF. DESIGN DWG. NO.H93545)



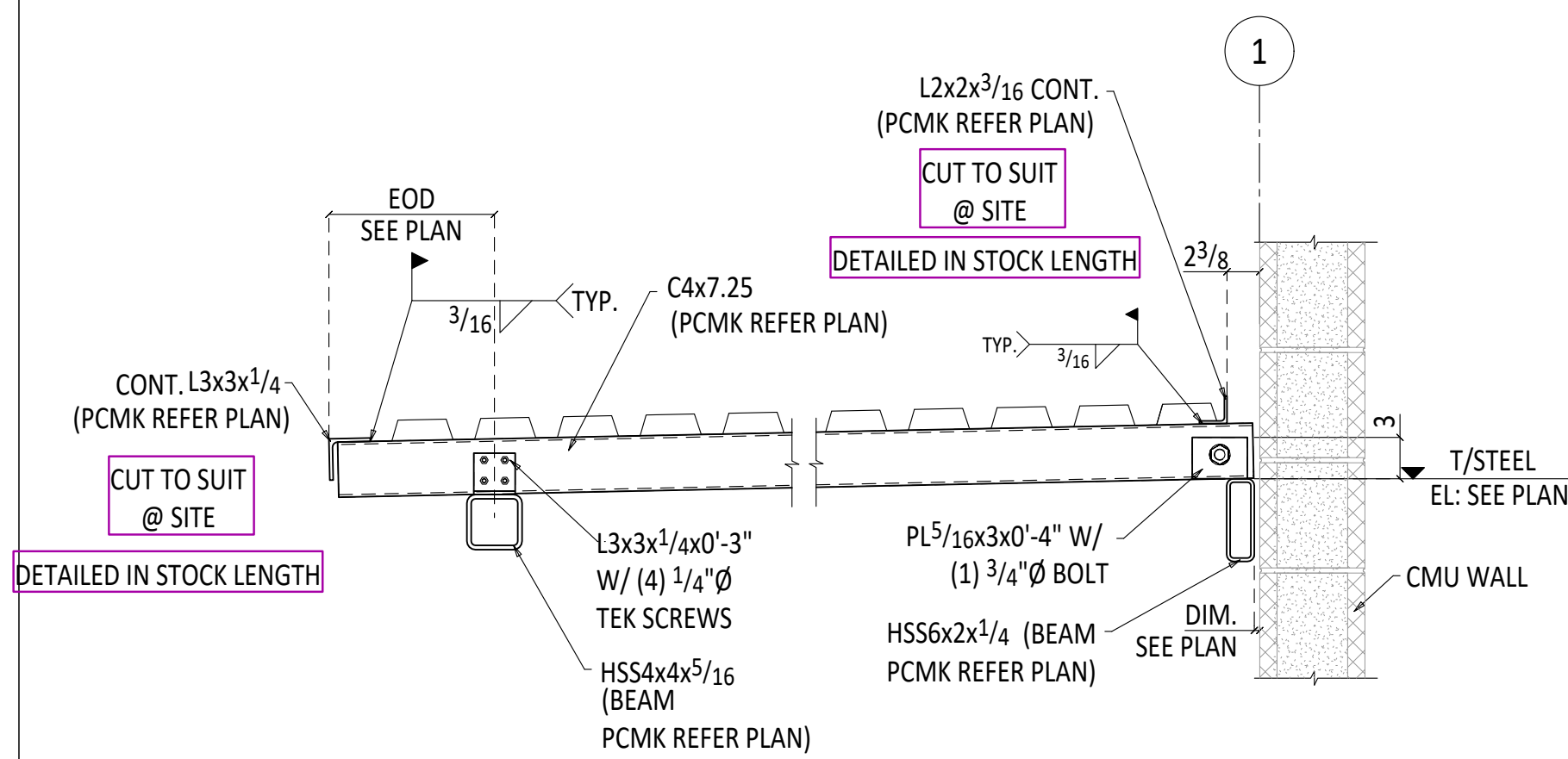
3 SECTION VIEW
ES100 (REF. ERECTION SHEET # 2/E101)
(REF. DESIGN DWG. NO.H93545)



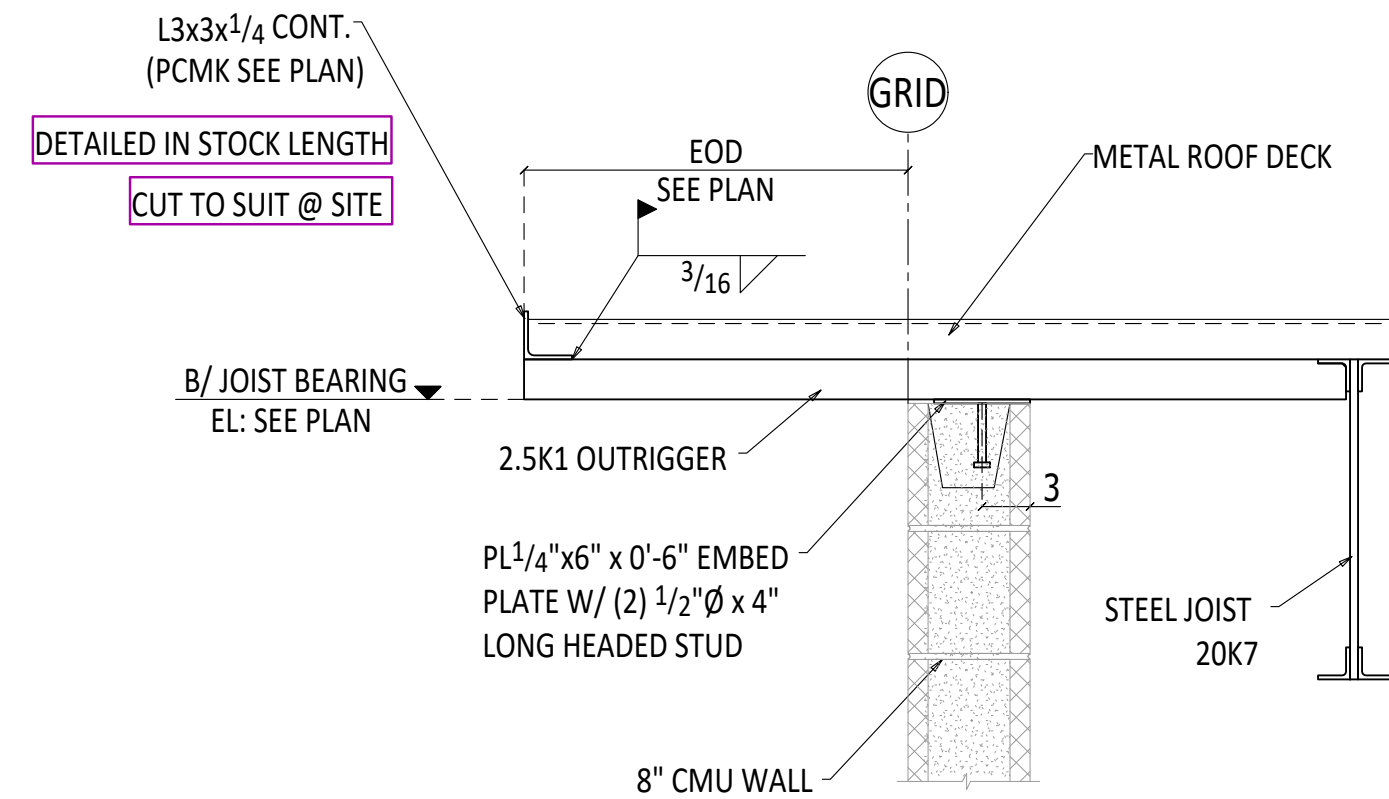
4 SECTION VIEW
ES100 (REF. ERECTION SHEET # 2/E101)
(REF. DESIGN DWG. NO.H93545)



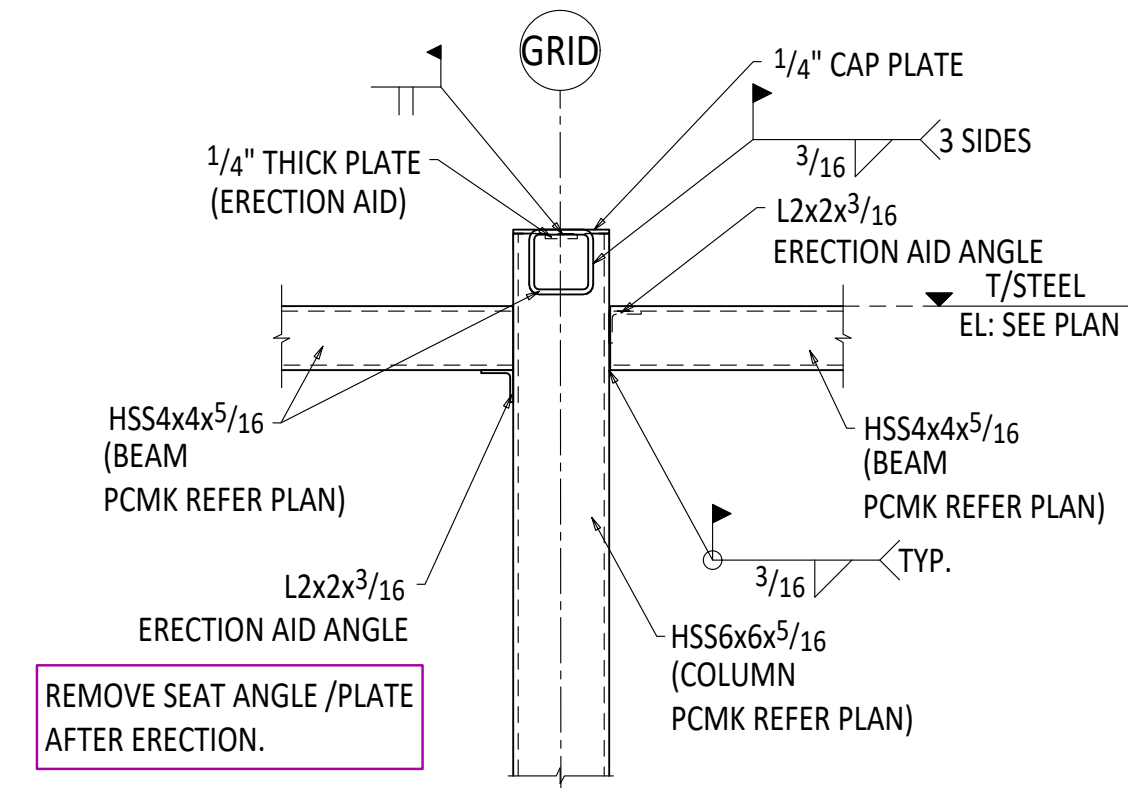
5 SECTION VIEW
ES100 (REF. ERECTION SHEET # E101)
(REFER DESIGN DWG. NO.H93588)



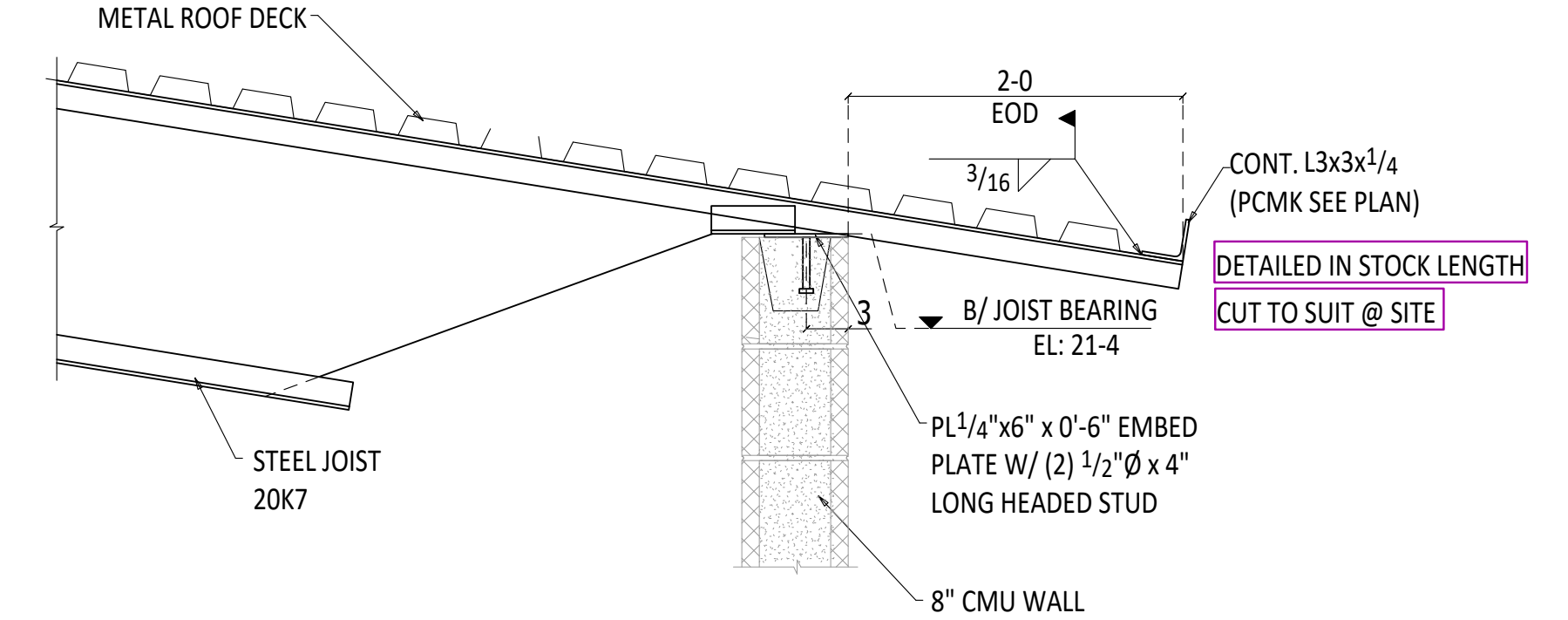
6 SECTION VIEW
ES100 (REF. ERECTION SHEET # E101)
(REFER DESIGN DWG. NO.H93588)



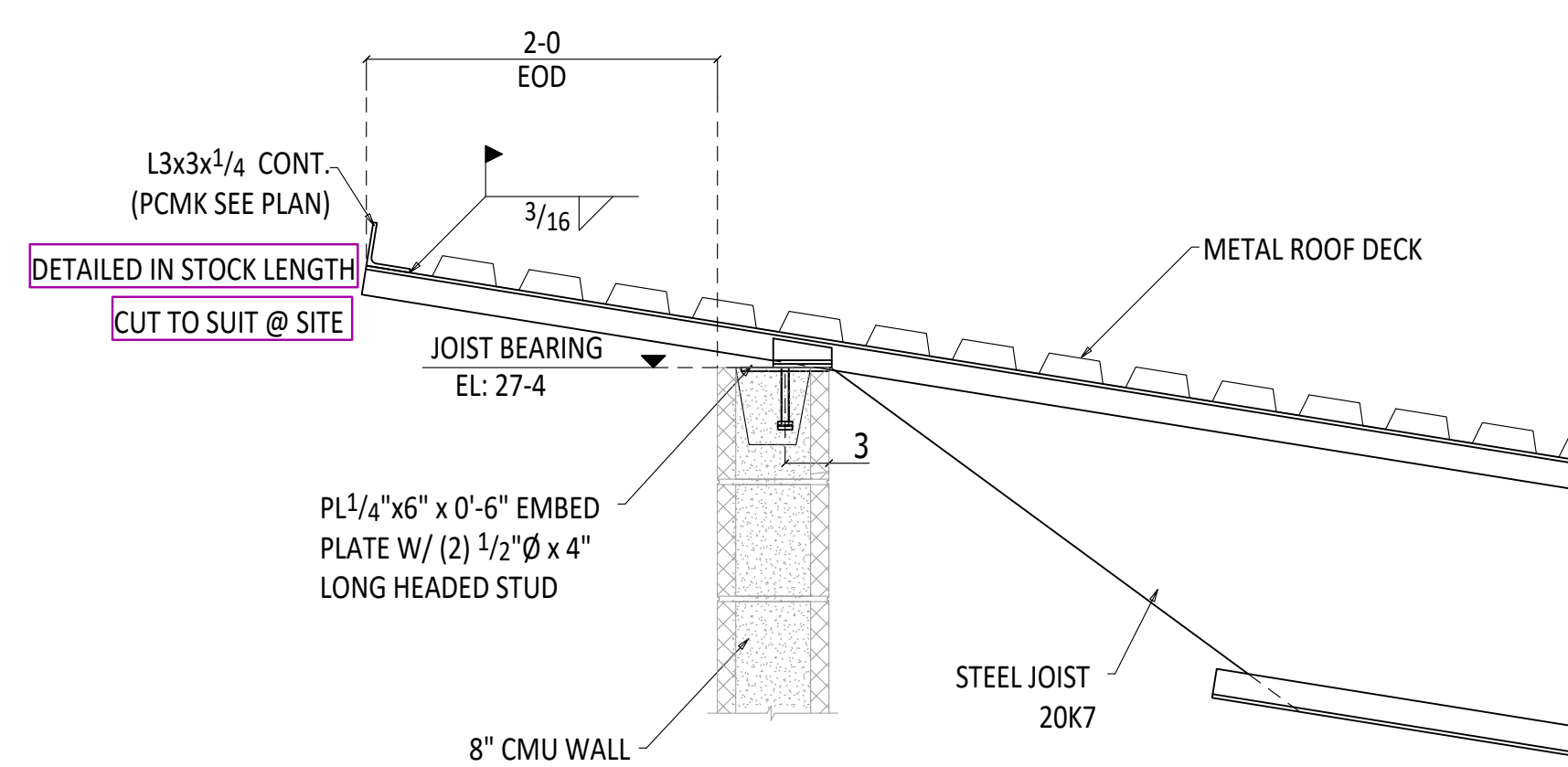
7 SECTION VIEW
ES100 (REF. ERECTION SHEET # E101)
(REFER DESIGN DWG. NO.H93588)



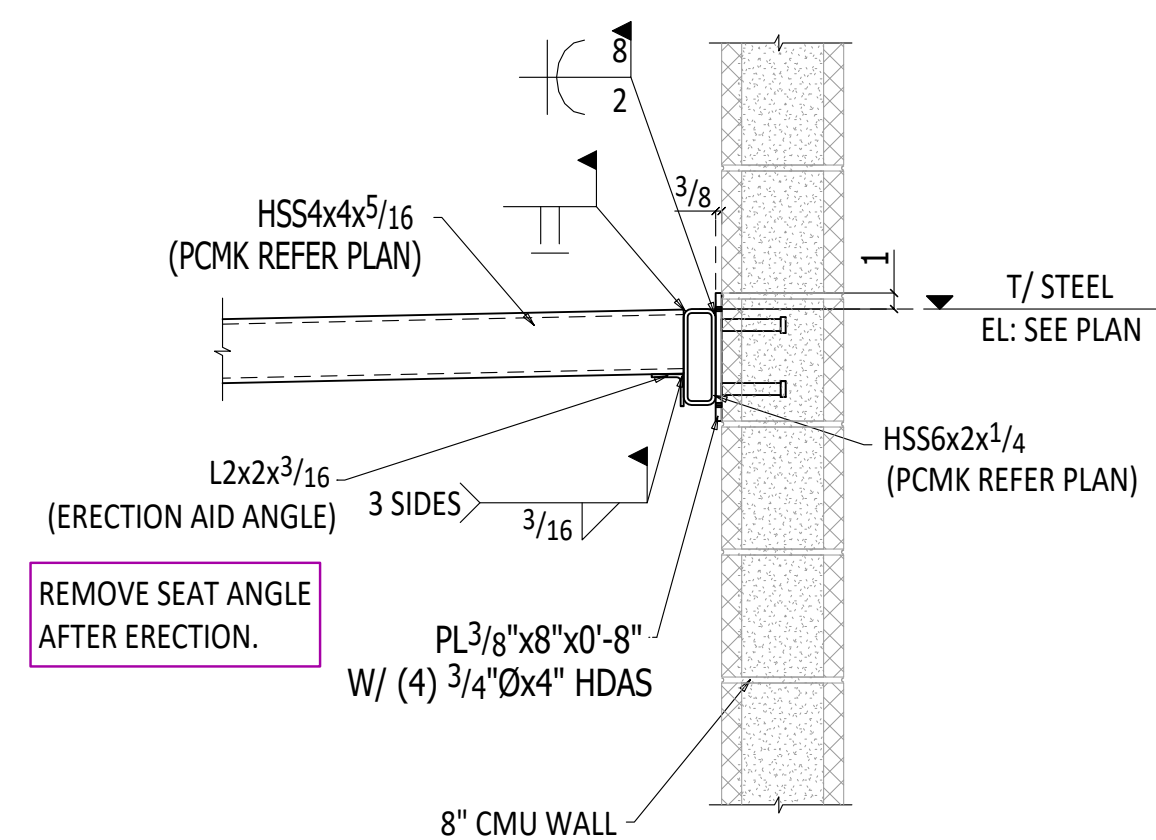
8 SECTION VIEW
ES100 (REF. ERECTION SHEET # E101)
(REFER DESIGN DWG. NO.H93588)



9 SECTION VIEW
ES100 (REF. ERECTION SHEET # E101)
(REFER DESIGN DWG. NO.H93588)



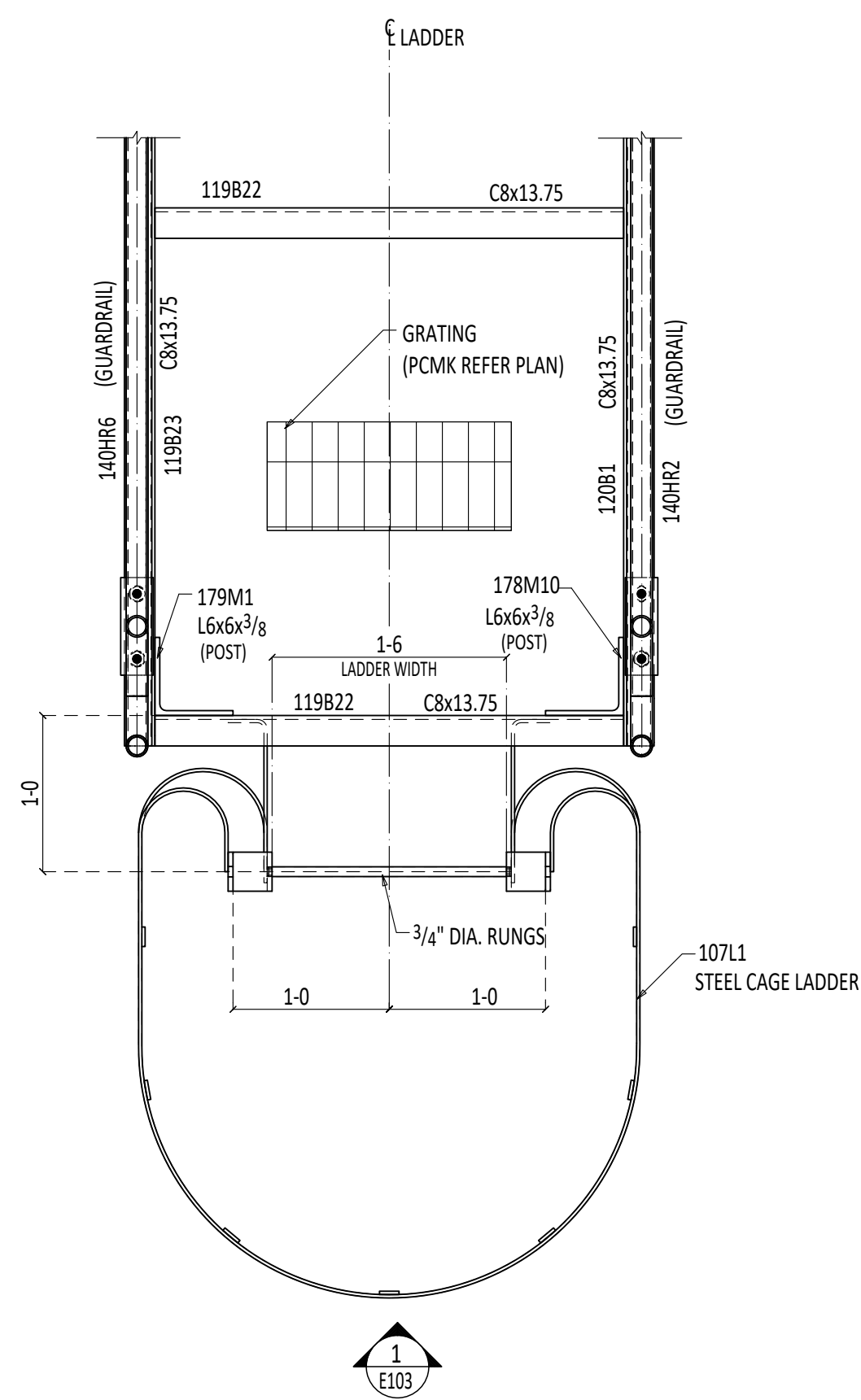
10 SECTION VIEW
ES100 (REF. ERECTION SHEET # E101)
(REFER DESIGN DWG. NO.H93588)



11 SECTION VIEW
ES100 (REF. ERECTION SHEET # E101)
(REFER DESIGN DWG. NO.H93588)

COPEs 3/4"	UNO	PROJECT NAME	
STEEL ASTM A992	UNO	LOCATION	
ELECTRODES E70XX	UNO	CONTRACTOR	
WELDS 3/16"	UNO	STRUCTURAL ENGINEER	
OPEN HOLES 13/16"	UNO		
BOLTS A325N	UNO	DESCRIPTION	DATE
PAINT -	UNO		JOB No.
			DRAWN BY
			DRG No. ES100

DATE	NO.	DESCRIPTION	BY

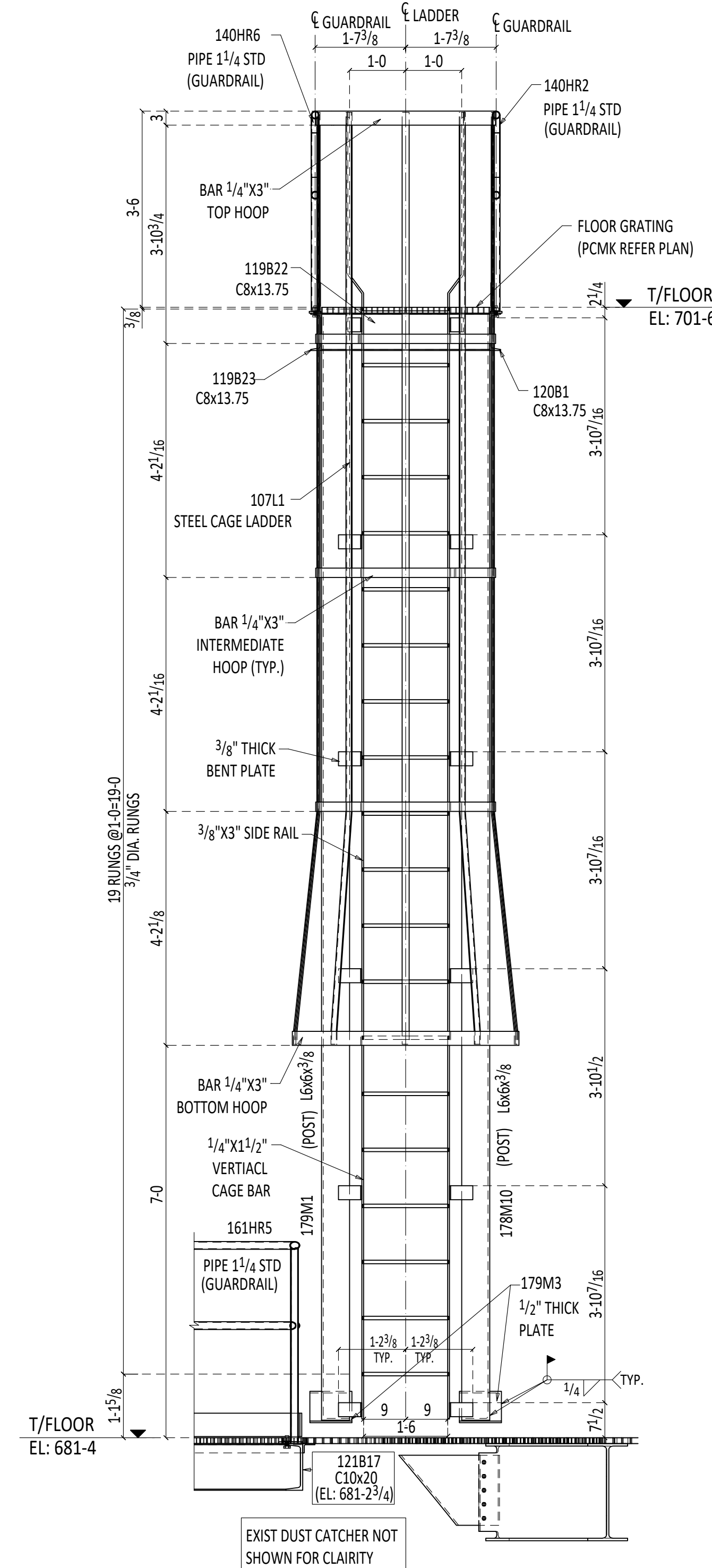
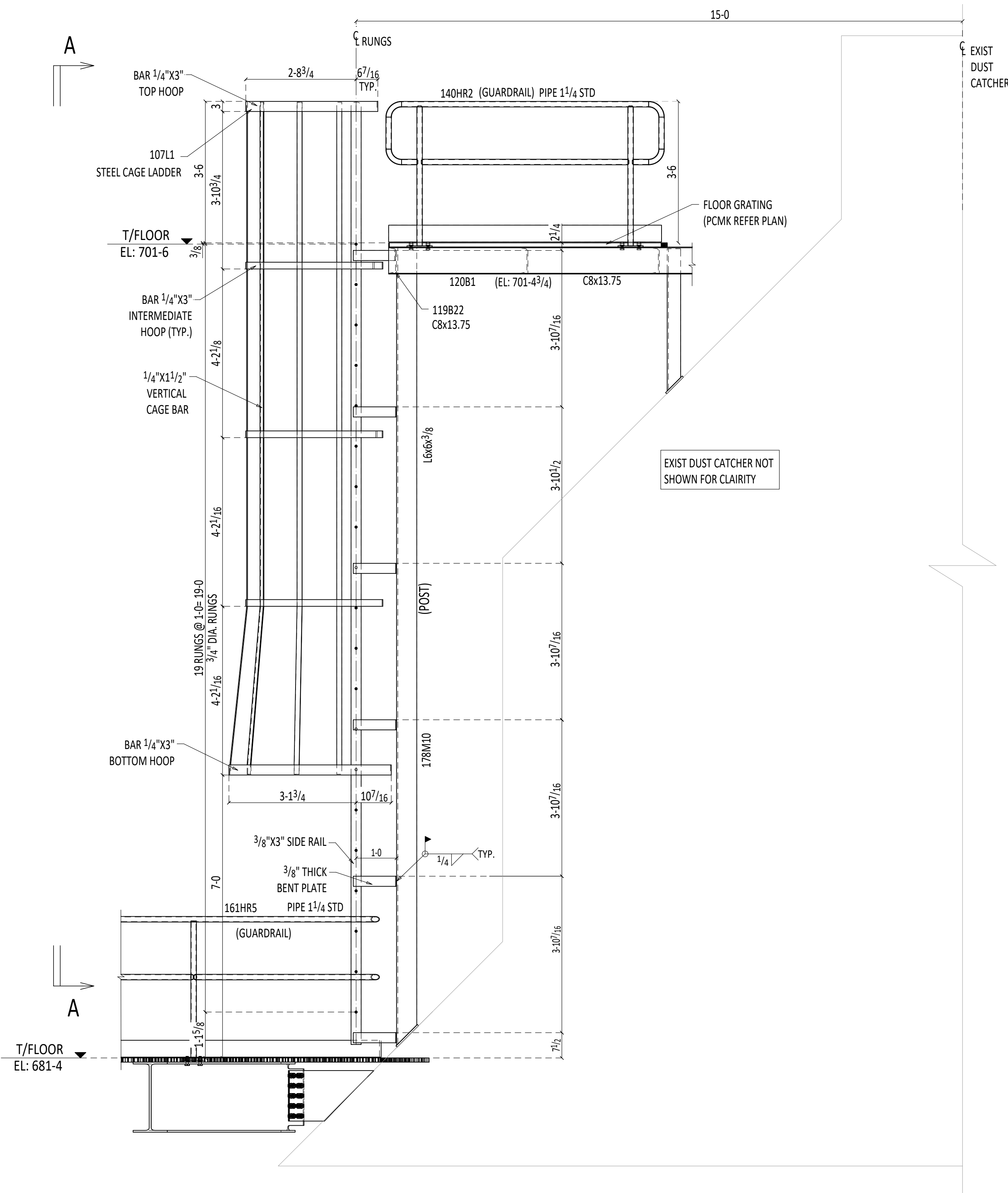


CAGE LADDER PLAN

(REFER DESIGN DWG. NO. H935589)

PLAN NOTE:

- 1) REFER E100 FOR MISCELLANEOUS PLAN.
- 2) N.T.S. INDICATES NOT TO SCALE.



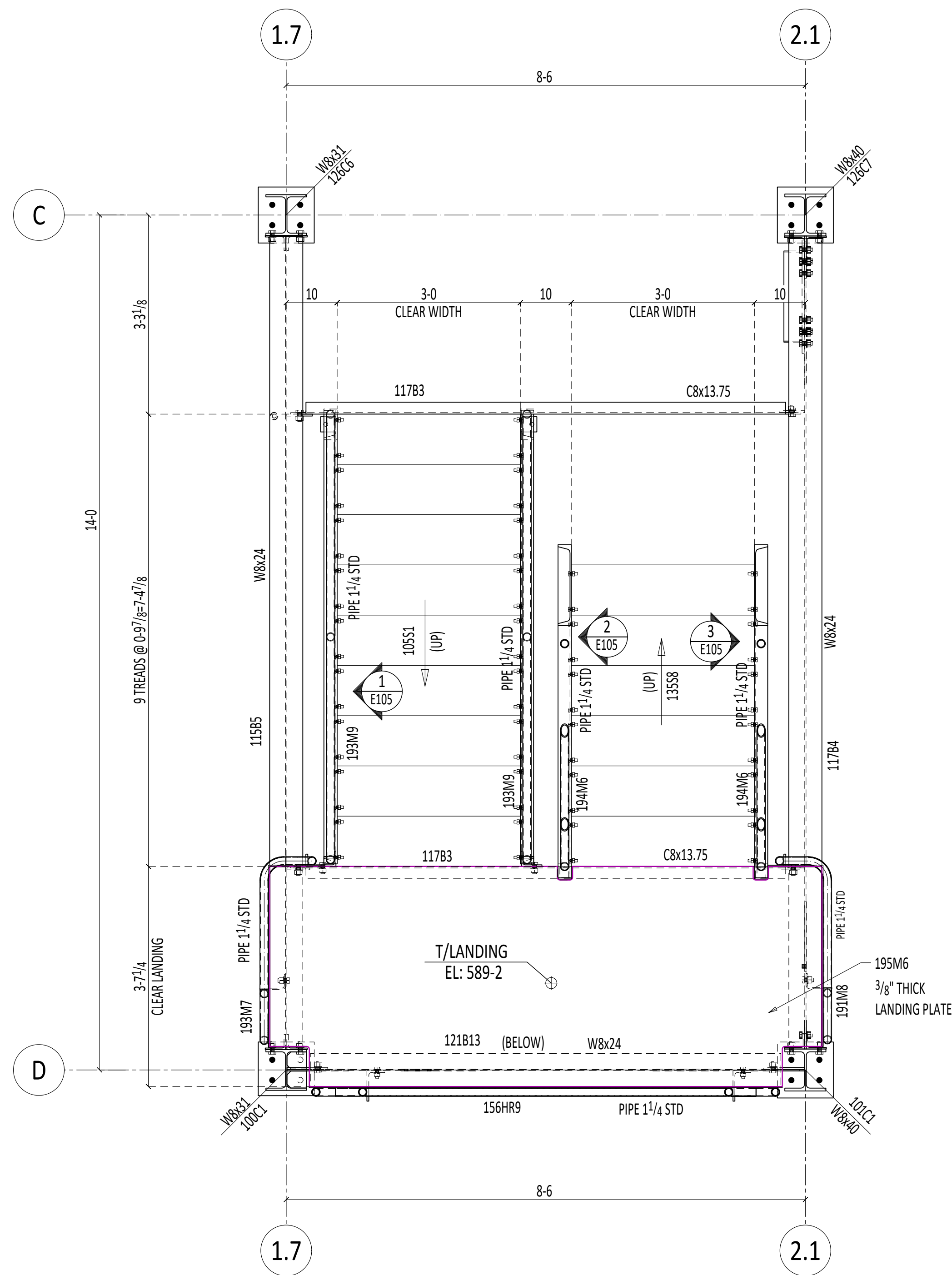
SECTION A-A

1 CAGE LADDER ELEVATION VIEW

(REF. ERECTION SHEET #E101)
(REF. DESIGN DWG. NO. H93589)

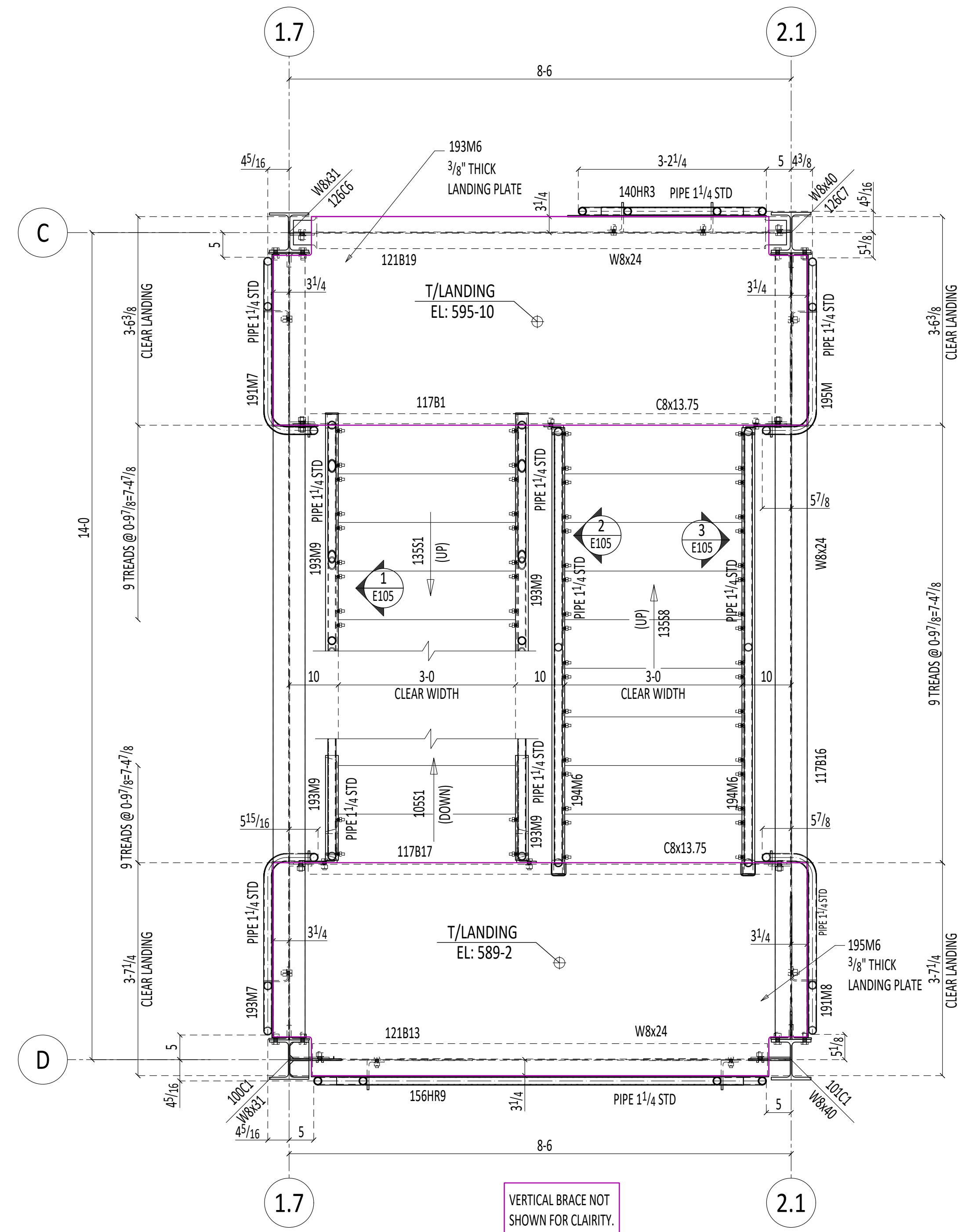
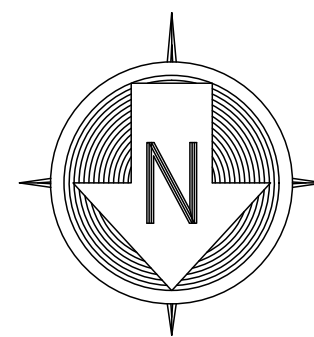
COPEs	3/4"	UNO	PROJECT NAME	
STEEL ASTM	A992	UNO	LOCATION	
ELECTRODES	E70XX	UNO	CONTRACTOR	
WELDS	3/16"	UNO	STRUCTURAL ENGINEER	
OPEN HOLES	13/16"	UNO	DESCRIPTION	
BOLTS	A325N	UNO	DATE	JOB No.
PAINT	-	UNO	DRAWN BY	DRG No. E103

DATE	NO.	DESCRIPTION	BY



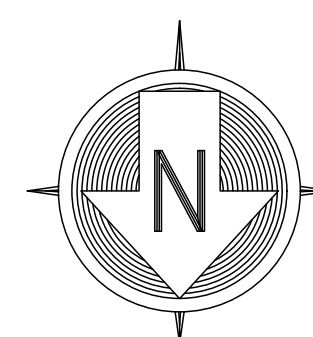
STAIR PLAN

(REF. ERECTION SHEET #E101)
 (REF. DESIGN DWG. NO. H93596)



STAIR PLAN

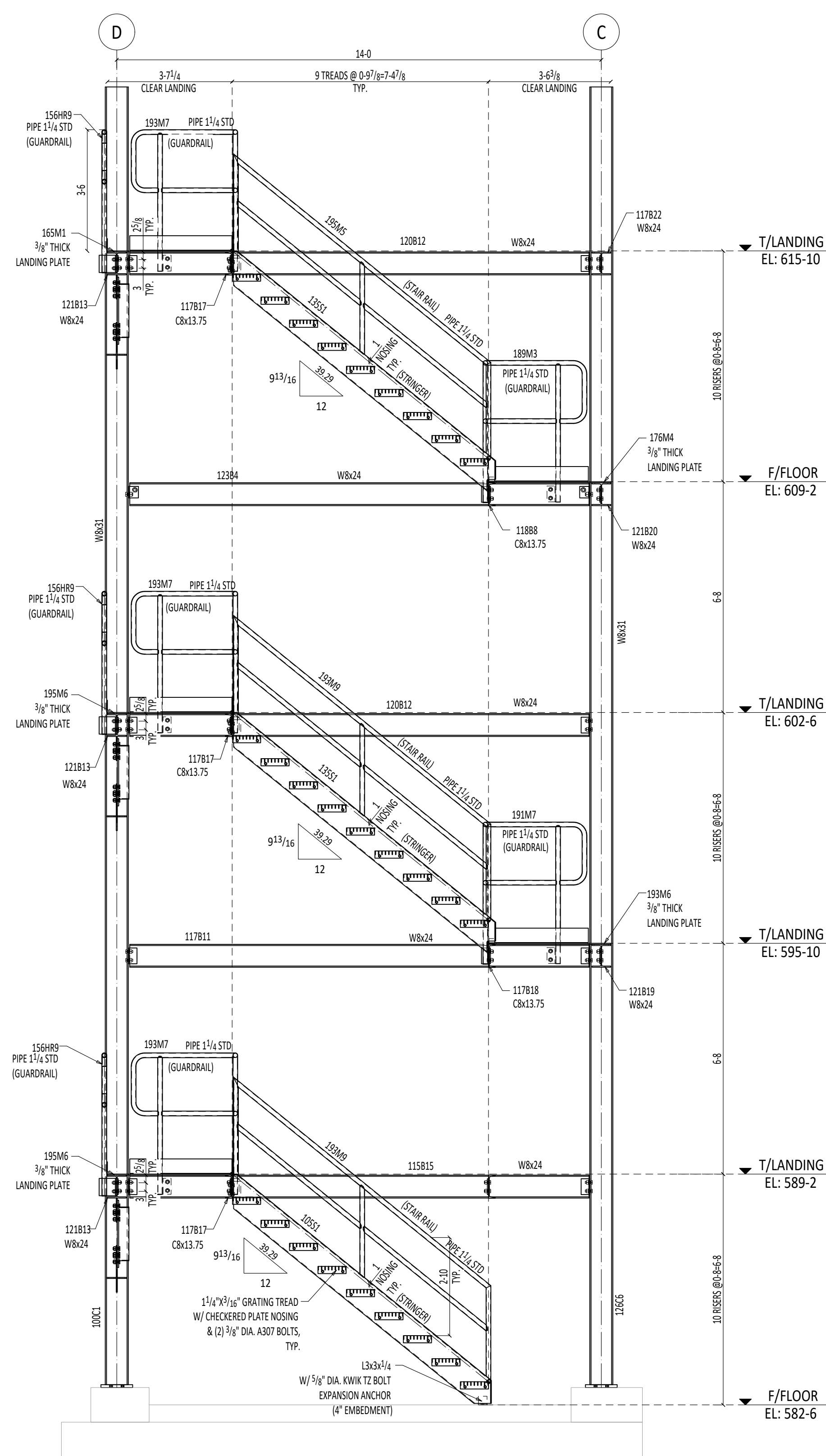
(REF. ERECTION SHEET #E101)
 (REF. DESIGN DWG. NO. H93596)



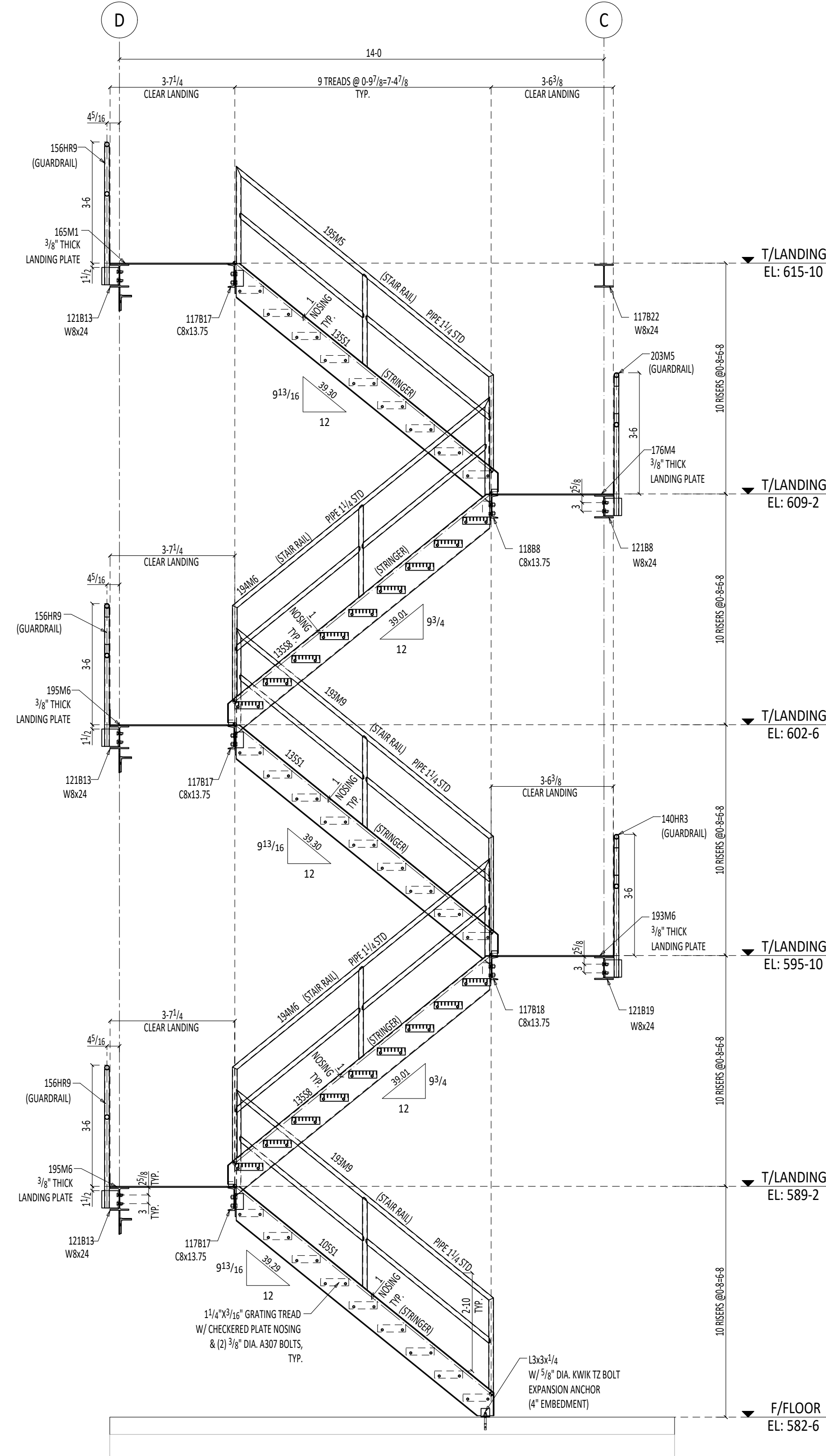
VERTICAL BRACE NOT SHOWN FOR CLARITY.

DATE	NO.	DESCRIPTION	BY

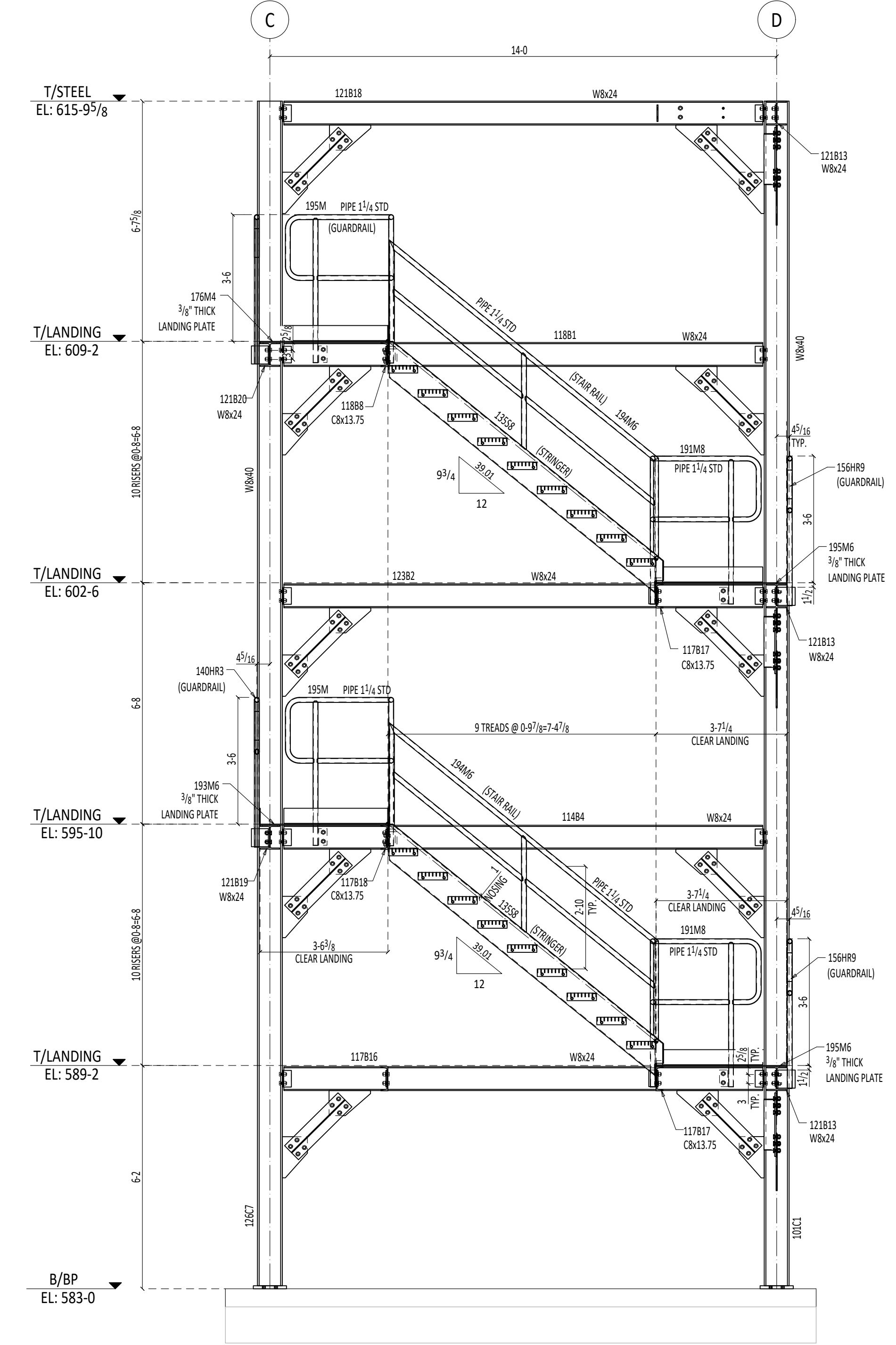
COPEs 3/4"	UNO	PROJECT NAME	
STEEL ASTM A992	UNO	LOCATION	
ELECTRODES E70XX	UNO	CONTRACTOR	
WELDS 3/16"	UNO	STRUCTURAL ENGINEER	
OPEN HOLES 13/16"	UNO	DESCRIPTION	DATE
BOLTS A325N	UNO		JOB No.
PAINT -	UNO	DRAWN BY	DRG No. E104



1 ELEVATION VIEW
E105 (REF. ERECTION SHEET#E101)
 (REF. DESIGN DWG. NO. H93596)



2 ELEVATION VIEW
E105 (REF. ERECTION SHEET#E101)
 (REF. DESIGN DWG. NO. H93596)



3 ELEVATION VIEW
E105 (REF. ERECTION SHEET#E101)
 (REF. DESIGN DWG. NO. H93596)

DATE	NO.	DESCRIPTION	BY

COPEs	3/4"	UNO	PROJECT NAME	
STEEL ASTM	A992	UNO	LOCATION	
ELECTRODES	E70XX	UNO	CONTRACTOR	
WELDS	3/16"	UNO	STRUCTURAL ENGINEER	
OPEN HOLES	13/16"	UNO	DESCRIPTION	
BOLTS	A325N	UNO		
PAINT	-	UNO	DATE	JOB No.
			DRAWN BY	DRG No. E105